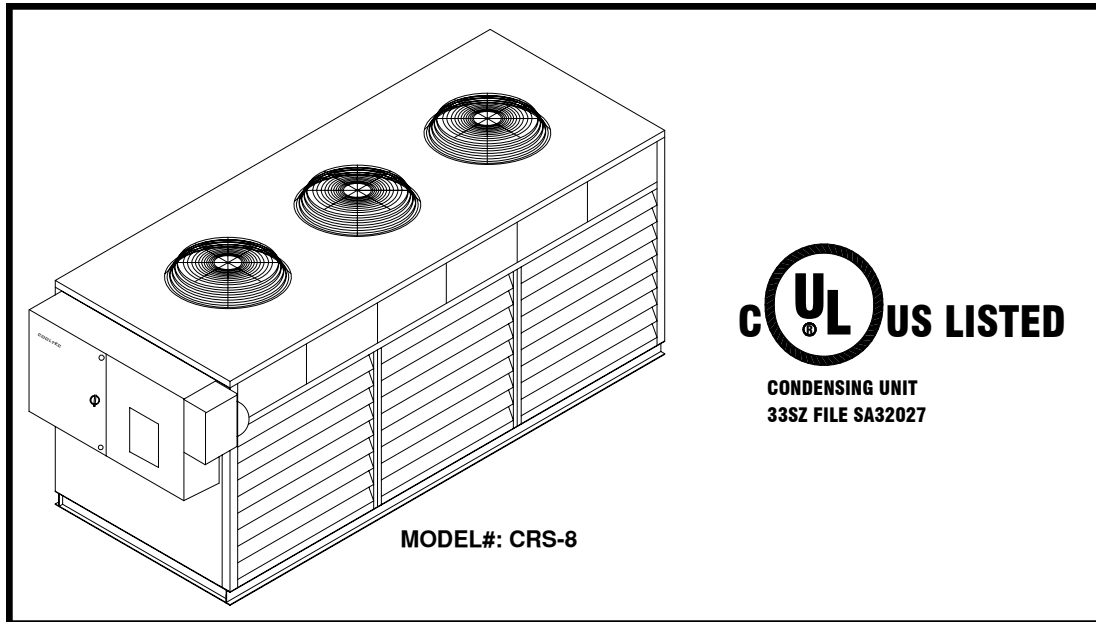


## ENERGY EFFICIENT REFRIGERATION SYSTEMS

for schools - universities - hotels - restaurants - coffee shops - hospitals - prisons



### STANDARD FEATURES

- AIR-COOLED CONDENSER USING RIFFLED TUBING DESIGNED TO MEET JOBSITE AMBIENT CONDITIONS
- U.L. LISTED PACKAGE WITH MAIN FUSED DISCONNECT
- WEATHER PROOF ENCLOSURE WITH POWDER COAT FINISH
- SUCTION AND DISCHARGE VALVES ON ALL COMPRESSORS
- VERTICAL AIR DISCHARGE FOR EITHER GROUND OR ROOF TOP APPLICATIONS
- ONE (1) YEAR PARTS WARRANTY
- INTERNAL PITCH POCKET ELIMINATES WATER LEAKS AND PROVIDES PROTECTION FROM IMPROPER SEALANT
- PROPERLY SIZED RECEIVERS, SIGHT GLASSES, LIQUID-LINE FILTERS, DRYERS, DUAL PRESSURE CONTROLS, HEADMASTER VALVES, DEFROST TIME-CLOCKS, CONTACTORS & BREAKERS. ALL ARE PRE-PIPED & PRE-WIRED, AND ELECTRICALLY TESTED & STARTED. SHIPPED UNDER 150 PSI DRY NITROGEN PRESSURE.
- COMPACT AND LIGHT-WEIGHT ENCLOSURE
- VIBRATION ELIMINATORS FOR SUCTION LINES
- CONSTANT AIR FLOW ACROSS COMPRESSOR BODIES FOR ADDED COOLING EFFICIENCY AND COMPRESSOR LIFE

### OPTIONS

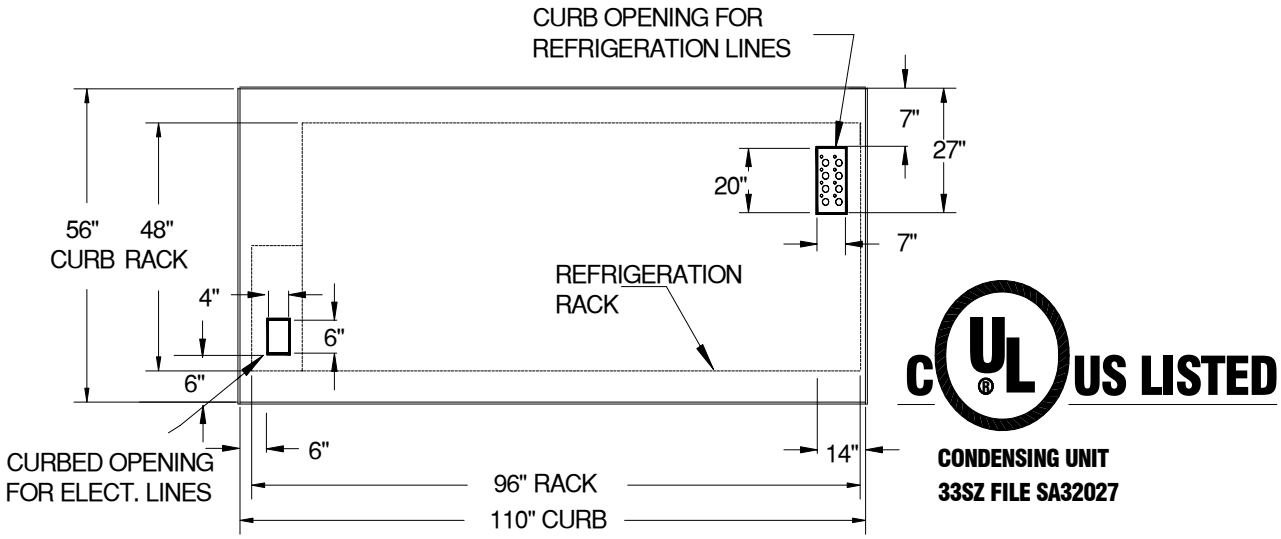
- OIL SEPARATORS & SUCTION LINE FILTERS
- ADDITIONAL FOUR (4) YEAR COMPRESSOR WARRANTY
- CONDENSER CIRCUIT(S) AVAILABLE FOR REMOTE ICE MACHINES
- PRISON PACKAGES
- FACTORY START-UP TRIPS
- SUCTION ACCUMULATOR
- COPPER FIN CONDENSER AVAILABLE
- STAINLESS STEEL SUPER HOSES
- 460 VOLT 3 PHASE OPERATIONS
- 50 CYCLE FOR EXPORT PROJECTS
- SEMI-HERMETIC COMPRESSORS
- HOT GAS DEFROST SYSTEMS
- HEAT RECLAIM
- STAINLESS STEEL HOUSING

# COOLTEC REFRIGERATION CORP.

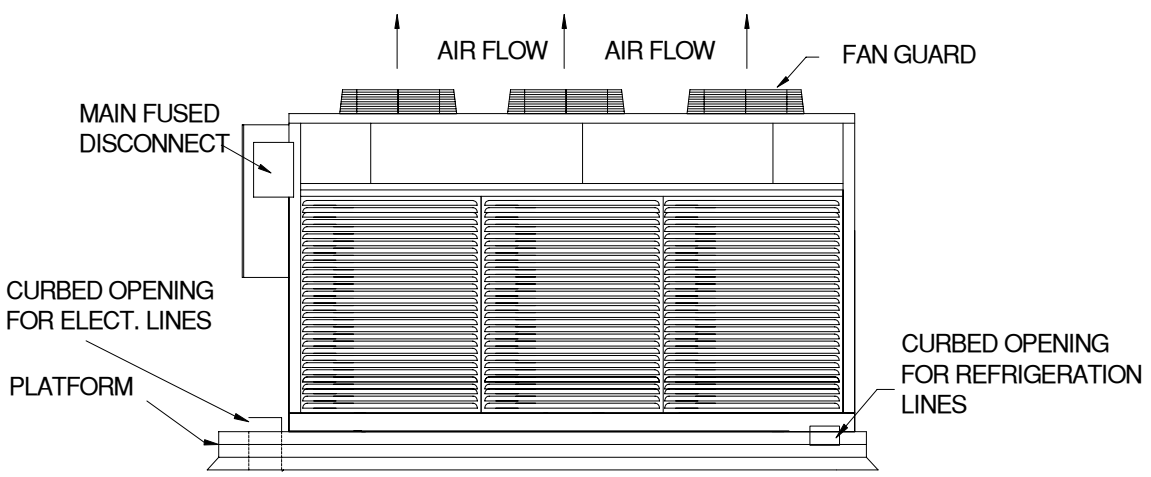
1280 E. NINTH STREET, POMONA, CA 91766 \* T. 909-865-2229 \* F. 909-868-0777

sales@cooltecrefrigeration.com \* www.cooltecrefrigeration.com

## REFRIG-O-PAK MULTI-COMPRESSOR RACK



PLAN VIEW



ELEVATION